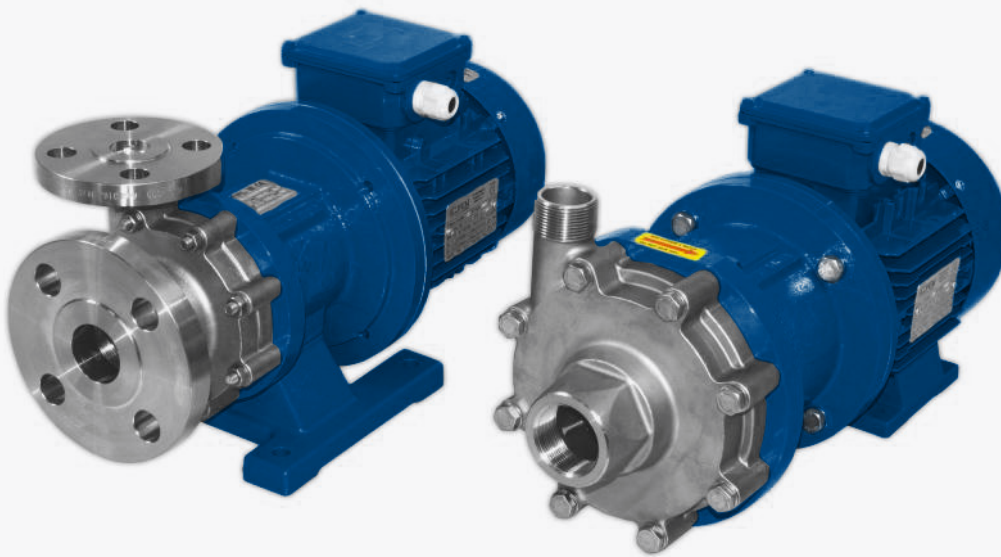


## Micro-Cast Centrifugal Pump



### » TECHNOLOGY INNOVATION & RELIABILITY

Tapflo is specialised in the design and application for Water Treatment, Pharmaceutical, Chemical, Petrochemical and Refinery applications.

We continue every day to lead the way in providing the most reliable sealless pumps available with the latest technology.

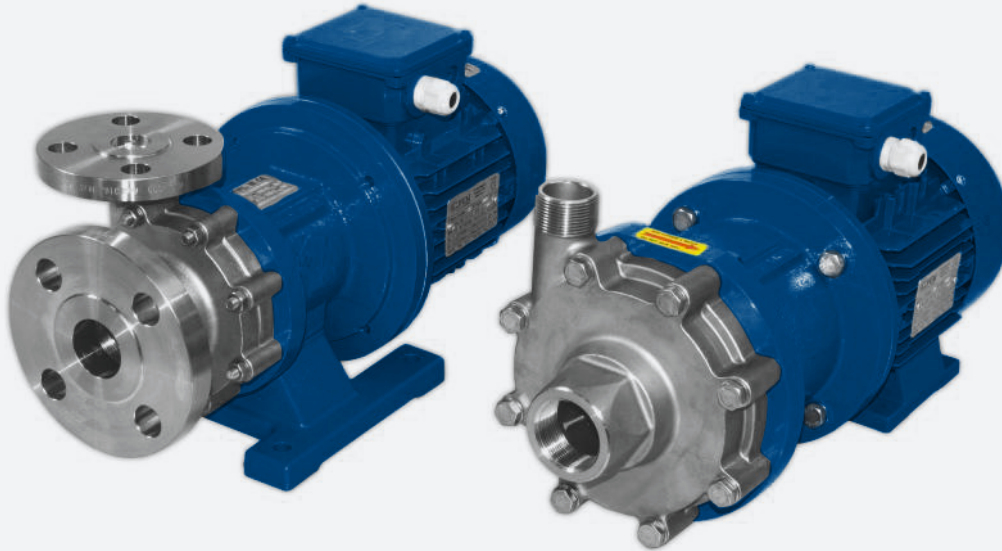
All Tapflo sealless pumps are engineered to comply with the new environmental rules "1990 EPA Clean Air Act".

### » BENEFITS

Our Micro-Cast Centrifugal Pump is a Sealless Alloy Centrifugal Pump designed to meet the demands of light-duty to medium/heavy-duty applications.

Engineered with casting technology, these pumps ensure reliability, ease of maintenance, and zero leakages even in extreme working conditions.

These pumps cater to a wide range of Industrial, Chemical, and OEM applications, offering a solution for the safe and efficient transfer of caustic liquids, solvents, alkalis, and other challenging chemical compounds.



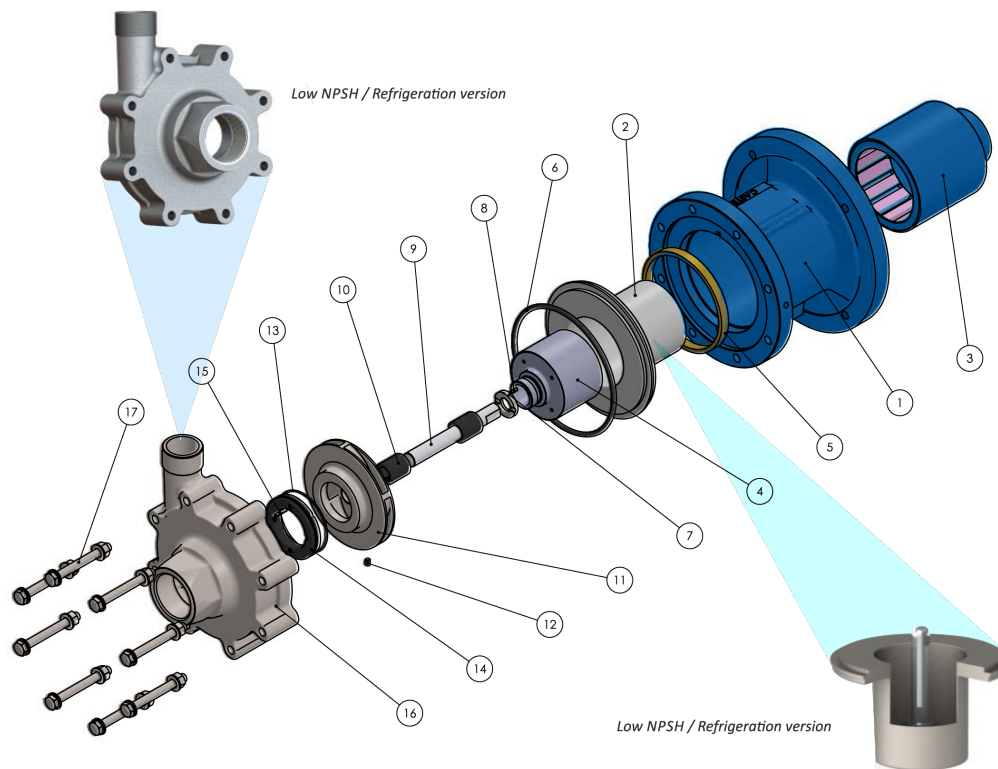
» SPECIFICATIONS

Tapflo's Micro-Cast Centrifugal Pump can maintain design head and flow for an extended running period.

- **Materials:** Stainless Steel, additional materials available on request
- **Max Capacity:** Up to 48m<sup>3</sup>/hr @ 50 Hz & up to 55m<sup>3</sup>/hr @ 60 Hz
- **Max Pressure:** Up to 36m @ 50 Hz & up to 54m @ 60 Hz
- **Self-Priming:** No
- **Max Temperature:** 200°C
- **Max Density:** 2000 kg/m<sup>3</sup>

» FEATURES

- Designed for medium/heavy-duty applications, can withstand system pressure of 25 Bar
- Maintains head and flow for extended running periods
- Handles difficult solutions (caustic liquids, solvents & challenging chemical compounds in chemical, OEM, and industrial applications
- Modular impeller design for modifying performances based on specific requirements such as a low NPSHr option.
- Features high torque Samarium Cobalt magnets, chemically resistant channelled P-CARBON sleeve, and thrust bearings
- Fabricated with casting technology for light-duty applications
- Low rotating parts increase Mean Time Between Failure (MTBF)
- Construction features guarantee zero leakages even in the most challenging working conditions
- Handles a broad temperature range from -40°C to 200°C
- Standard system pressure of 25 Bar. Hydrostatically tested to 37.5 Bar
- Available in compliance with ATEX regulation category EX II 2 G



Ref.	Description	Ref.	Description
1	Bracket	10	Sleeve bearing
2	Rear casing	11	Impeller
3	External magnet ring	12	Impeller grub screw
4	Internal magnet	13	Pump casing thrust bearing o-ring
5	Rub ring	14	Pump casing thrust bearing
6	O-ring	15	Pump casing thrust bearing pin
7	Rear thrust bearing	16	Pump casing
8	Rear thrust bearing pin	17	Pump casing screw
9	Shaft		

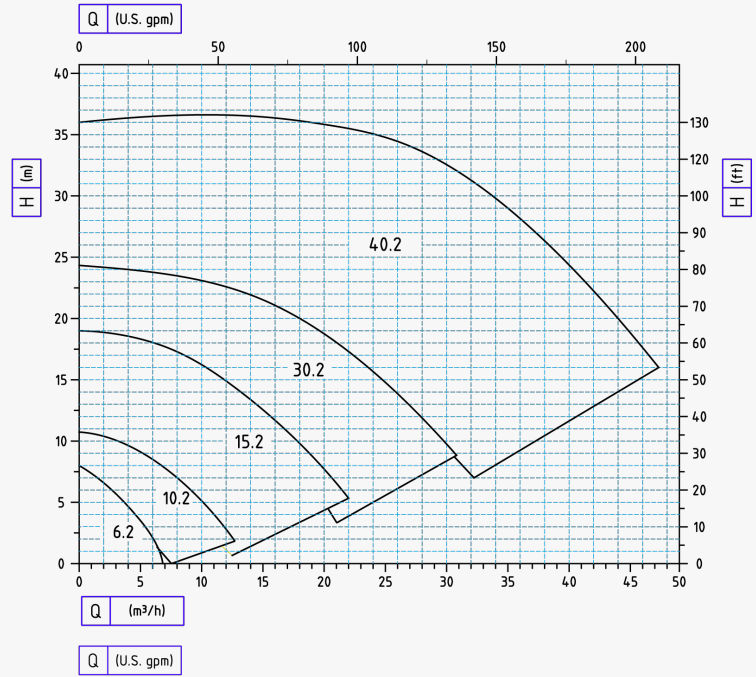
Typical services

- Medium/High Duty services
- Liquid transfer
- Industrial cleaning
- Refrigeration
- OEM filter system manufacturing

» Design Curves

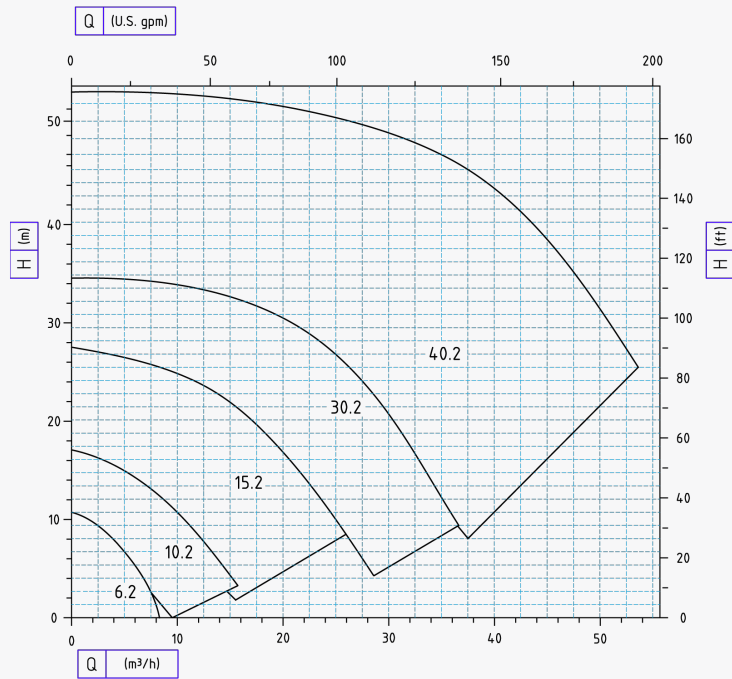
» MICRO-CAST CENTRIFUGAL PUMP

2900 rpm 50hz

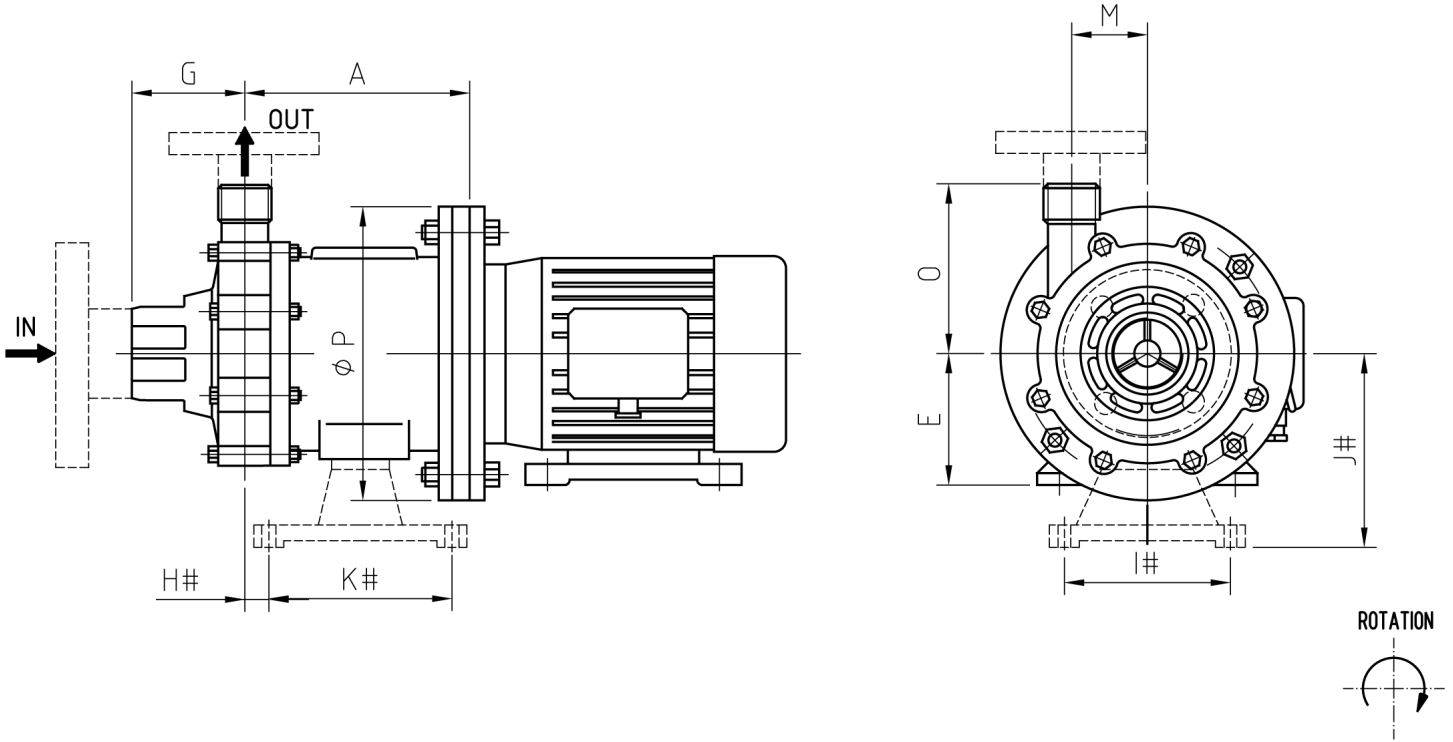


» MICRO-CAST CENTRIFUGAL PUMP

2900 rpm 50hz



» Overall Dimensions



CONNECTIONS: THREADED UNI ISO 228/1

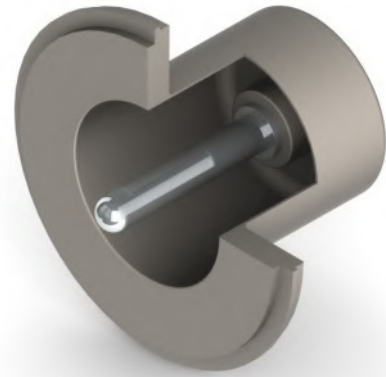
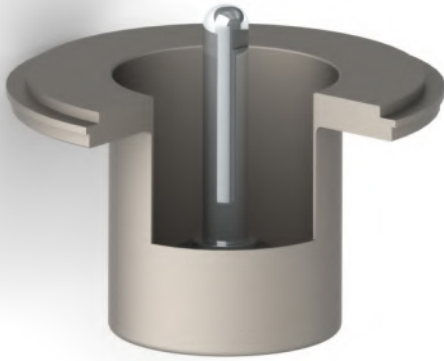
MODELS		IMP.	SUCTION	DISCHARGE	A	E	G	M	O	P
6.2	(mm)	79	1" G	3/4" G	135	71	57	45	89	160
	(in)	3.11	1" NPT	3/4" NPT	5.32	2.79	2.24	1.77	3.50	6.29
10.2	(mm)	96	1½" G	1" G	145	80	69	44	98	200
	(in)	3.77	1½" NPT	1" NPT	5.70	3.14	2.71	1.73	3.85	7.87
15.2	(mm)	120	1½" G	1" 1/4 G	175	90	80	62	125	200
	(in)	4.72	1½" NPT	1" 1/4 NPT	6.89	3.54	3.14	2.44	4.92	7.87
30.2	(mm)	134	2" G	1½" G	188	100	84	67	140	250
	(in)	5.27	2" NPT	1½" NPT	7.40	3.54	3.30	2.63	5.51	9.84
40.2	(mm)	133	2 ½" G	2" G	197	155	105	83	175	250
	(in)	5.23	2 ½" NPT	2" NPT	7.75	6.10	4.13	3.26	6.88	9.84

# ON REQUEST ONLY

AVAILABLE WITH DIN / ANSI FLANGE CONNECTIONS



» OVERHANG IMPELLER VERSION AND FIXED HARDENED SHAFT FOR LOW NPSH / REFRIGERATION



Construction materials	Typical services
<ul style="list-style-type: none"> <li>• Stainless steel</li> <li>• Special materials on request</li> </ul>	<ul style="list-style-type: none"> <li>• Atex execution ZONE 1 II 2G</li> <li>• ANSI 150#/300# or DIN PN16/PN25 flanges</li> <li>• Hardened shaft and P-Carbon/PTFEC bearings</li> <li>• Overhang impeller and fixed hardened shaft for LOW NPSH/Refrigeration applications</li> </ul>

» PUMP CASING WITHOUT SHAFT SUPPORT (OVERHANG) FOR LOW NPSH / REFRIGERATION

