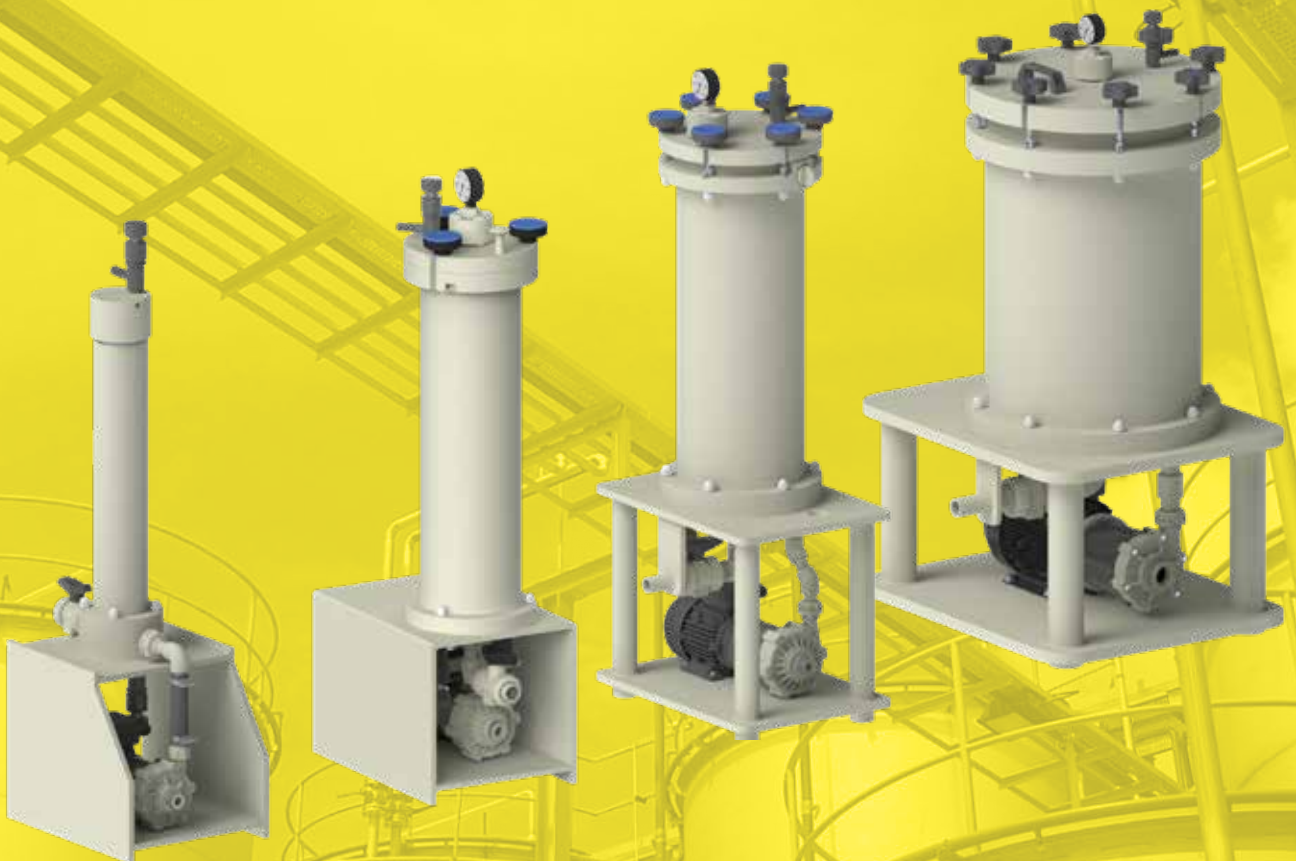


tapflo®

FT FILTERS

2020 | 2



» All about your flow™

www.tapflo.com

» All about your flow™

We began our journey 40 years ago in Kungälv, a small town on the Swedish west coast, as a family company with an ambition to one day become a global player on the pump market.

Since 1980, we have taken pride in delivering a wealth of knowledge and passion for pumps to the industry, whilst supplying a wide range of premium products for various industrial applications.

Over the years, the company has developed into a global Tapflo Group with branches and distributors present in nearly every region of the world.

One thing did not change - we are still a family company.

Our solutions are designed and manufactured in Europe and distributed globally to offer the best service and flow solutions to our customers for a variety of applications.

Our values, Commitment, Quality and Simplicity are reflected both in our product and business approach.



For fast and flexible service and high-quality products readily available worldwide, choose Tapflo.

Quality commitment

At Tapflo we are simply committed to quality. As a result, our production standards, as well as products quality, comply with various globally recognised certification and quality control standards. The Tapflo manufacturing process is certified according to ISO 9001:2015, confirming that our processes are appropriate, effective, customer-focused and continuously improved.



Tapflo values

Our culture is concluded in Our values

Commitment

We are different from our competitors because of our willingness to exceed the customers' expectations, move fast and be flexible. Our culture is based on the spirit of togetherness, enthusiasm and integrity. We come from all over the world but we share the same values and we respect each other. We are committed.

Quality

We understand that the quality in our work is never better than the weakest link, that's why we focus on every small detail. We share a common passion for continuously finding more efficient and effective ways to provide value to our customers. As a manufacturer we have control of the complete process both in terms of our products and the way we operate internally. That is why we manufacture the highest quality pumps in our segment.

Simplicity

We have a saying, "Simple is art" which means we try to find smooth and uncomplicated solutions in everything. By keeping it simple we can focus on the essential, like designing uncomplicated pumps with few components. For us it is a key to success; strive to simplify what is complex.

Filters

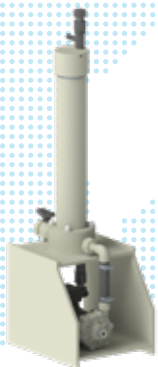
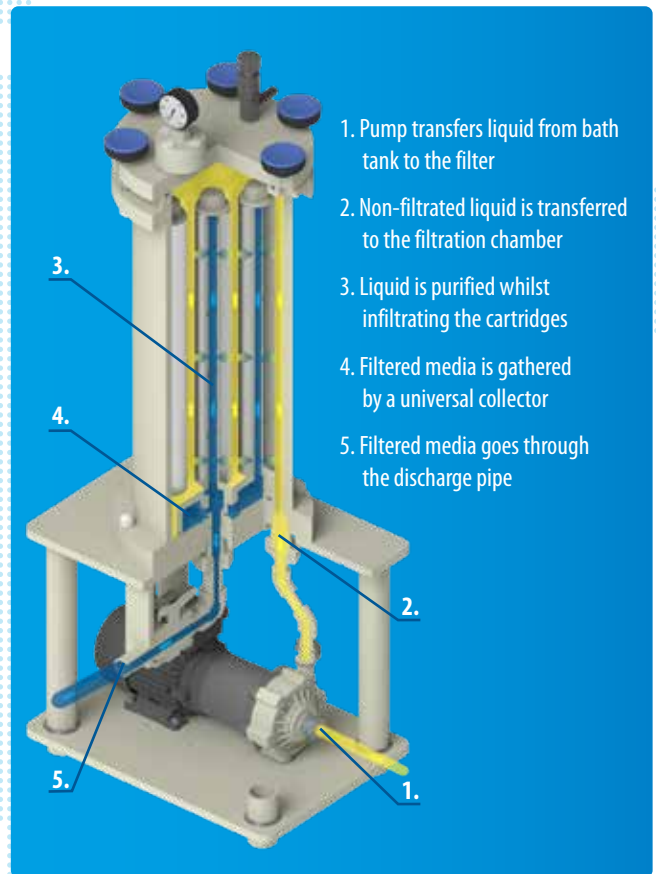
creating a safe process

FT Filters are developed to work in various applications, where process quality often relies on the bath filtration. As there are many hazardous substances used, it is of paramount importance to ensure these chemicals are handled in a safe way.

Tapflo is here to provide you reliable solutions that increase both quality and safety of your filtration processes.

Example of applications

- » Surface treatment
- » Precious metal plating
- » Chemical industry
- » Paints and varnishes
- » Water treatment



FT80



FT160



FT210



FTB210



FT355

Features & Benefits

- ✓ **Simple and smart design**
New FT Filters were designed to reduce the number of parts to minimum. Filters are easy to maintain and service and the inserts are easy to replace.
- ✓ **Changeable inserts**
Thanks to the universal body design, the FT Filter units can be equipped with various filtering inserts. It allows the filters to work with surface treatment baths, oil absorbing systems and precious metals treatment systems.
- ✓ **Wide range of filtering volume**
Filtering volumes which exact the needs of various applications. Suitable for tanks capacity form 200 l (for FT80) to 6000 l (for FT355).
- ✓ **Solid construction**
FT Filters are made to work in a tough industrial environment; its robust design provides a safe and reliable daily work environment, both with acids and alkali. Our FT Filters are ready to resist hard conditions all over the world.

Filter components

Standard FT Filters are delivered with Tapflo Magdrive CTM series pumps, that provide a safe and leakage free operation. Our FT Filters are used widely in the surface treatment industry, where there is a need for liquid purification.

Made in PP, they provide a high resistance for acids and alkalis. They are developed to work with polypropylene filtering cartridges, active carbon filtering inserts, filtering resins combined with bags and FTL Cartridges. FT Filters are also used as an oil absorbing units.

Inserts

Insert types



Wound Cartridge (standard)

The most popular filtering insert. Recommended for concentrated acids and alkalis, strong oxidizing agents, corrosive fluids and gases.

FDA and Non-FDA available - Consult Tapflo. Easily incinerated to traces of ash. Excellent microorganism resistance. High dry or wet strength.

Equipped with 1, 3, 7 or 15 cartridges.

Available removal rating: 1-50 µm



Bag (for FTB210)

Bag filtration is an economic method of pollution separation, widely used in branches of industries such as automotive, paint and varnish, food, chemical.

The filter bags offered by us are characterised by high chemical compatibility to the filtered medium and thermal resistance.

We are also providing an option with **activated carbon** insert and ion exchange resin insert. For additional information, please contact Tapflo directly.

Available removal rating: 0,5 µm-1200 µm



FTL Cartridge (for FT210)

This is made of polypropylene fabric and grill – its filtration surface is 5m² for 20 inch cartridge. It gives the advantage of high efficiency and high retention capacity up to 5 kg of sediment. These filter inserts significantly reduces operating costs.

Available removal rating: 10, 50, 100µm



Filter Basket

This option allows the use of oil absorbing polyethylene tape, active carbon and ion exchange resin inserts filled.

Filter size	FT80	FT160	FT210	FT355	FT210
Insert type	STANDARD				BAG
Wound Cartridge (standard)	✓	✓	✓	✓	
Bag					✓
FTL Cartridge			✓		
Filter Basket			✓	✓	

Filtering media



Activated Carbon

- » Used in galvanic bath organic purification
- » Removing of organics such as oils or lubricants - reduction of COD (Chemical Oxygen Demand)
- » Typical applications:
 - Galvanic bath purification



Oil Absorbing Polyethylene Tape

- » Used in galvanic process
- » Removing of oil residues
- » Typical applications:
 - Cleaning the rinsing water/bath



Ion Exchange Resin

- » Used in industrial plants, where heavy metal concentration exceeds acceptable level.
- » Removing of heavy metals used for sewage treatment, e.g. in electroplating processes.
- » Typical applications:
 - Purification of Cr3+ passivation after galvanizing
 - Purification of chromium bath Cr3+
 - Demi water production



Pressure control options

An optional pressure switch selected instead of a manometer offers higher accuracy, long-term stability and a higher number of measure cycles.



Manometer



Pressure switch

Pumps

■ Standard

CTM - magdrive centrifugal pumps

The Magdrive Centrifugals are designed and manufactured for chemicals transfer and circulation in surface treatment industries.

Tapflo CTM magnetic drive pumps are pumps of the centrifugal type, where the power from the motor is transmitted to the impeller by means of a magnetic coupling.



Features & Benefits

- ✓ **No leakage**
safe working environment and environmentally friendly
- ✓ **Economical operation**
high degree of efficiency and no waste of product
- ✓ **Magnetic power transmission**
no mechanical seal problems
- ✓ **Safe handling of hazardous fluids**
seal-less pump
- ✓ **Hermetic system**
no poisonous or dangerous vapours

■ Other pump options

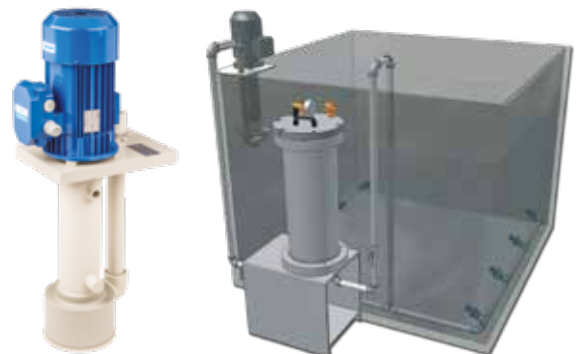
Tapflo offers other pumps designed for a harsh chemical environment:

CTP – plastic centrifugal pump

A CTP can be offered installed in the filter housing instead of a standard CTM pump. The CTP pumps are single stage centrifugal pumps with semi-opened impeller. The pumps are ideal for chemical transfer and circulation in surface treatment industries.

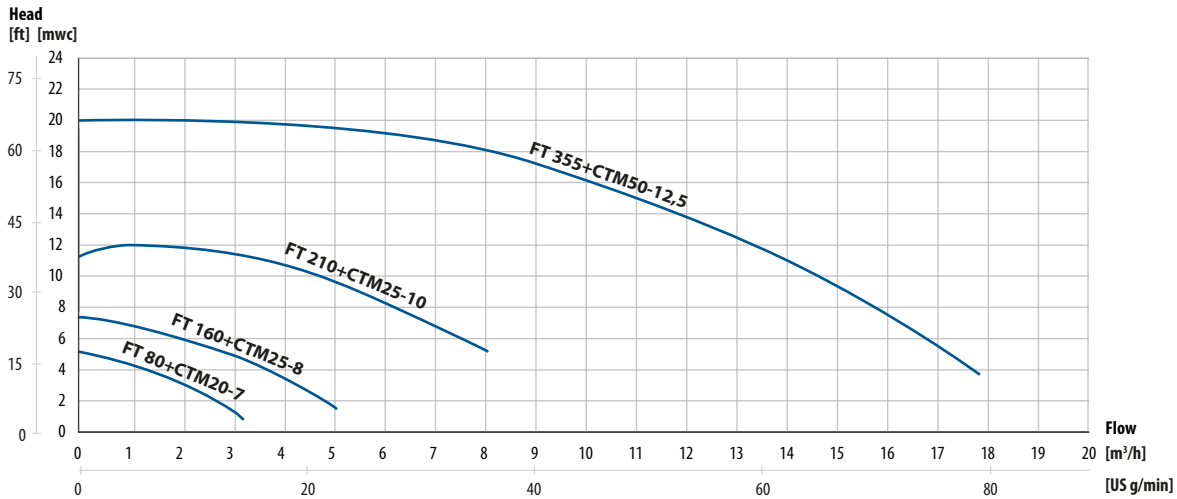
CTV – plastic centrifugal vertical pump

A CTV can be installed outside the filter housing with a hose connection for the transfer and circulation of various liquids from containers, sumps and tanks.



Performance curves

The performance curves are based on water at 20°C with standard FTA cartridges and standard CTM pumps. Other circumstances will affect the performance. These curves are only for first selection; please contact us for detailed curves with required power etc. ($\rho=1000 \text{ kg/m}^3$, $T=20^\circ\text{C}$, $n=2900 \text{ rpm}$)



Technical data

Specification	FT80	FT160	FT210 / FTB210	FT355
Applicable tank size [L]	400	1200	2800	6000
Filter capacity [m³/h]	3,5	5,2	14	18,1
Max head [m]	5,0	7,2	11,2	20,1
Motor power [kW]	0,12	0,25	0,55	3,00
Pump	CTM 20-7P-02	CTM25-8P-03	CTM25-10P-05	CTM50-12,5P-30
Filter housing	PP			
O-rings	EPDM, NBR, FKM			
Temperature range	0°C - 70°C			
Pressure rating	PN4 at 20°C, PN2 at 70°C			

Filter code

I.	II.	III.	IV.	V.	VI.	VII.	VIII.	IX.	X.
FT	A	210	/20	M	P	05	I100	E	PS

I. FT - Tapflo filter

II. Filter type:

- A - standard cartridge
- B - bag
- C - activated carbon in bag
- L - big cartridge (FTL)
- M - activated carbon in mesh nylon bag
- N - oil absorbing fill in nylon bag
- O - oil absorbing fill in bag
- R - ion exchange resin in bag
- S - ion exchange resin in mesh nylon bag

III. Filter internal diameter [mm] (filter inserts dimension):

- 80 (1x20")
- 160 (3x20")
- 210 (7x20")
- 355 (15x20")

IV. Filtration grade:

- 01 = 1 micron
- 10 = 10 microns
- 20 = 20 microns
- 50 = 50 microns
- 100 = 100 microns

V. Pump type:

- M = CTM pump
- P = CTP pump
- V = CTV pump

VI. Pump body material:

- P = Polypropylene
- K = PVDF

VII. Motor power [kW] and CTM pump type:

- 01 = 0,12 [kW] (mechanical size 56) + CTM20-7 pump
- 02 = 0,25 [kW] (mechanical size 63) + CTM25-8 pump

- 05 = 0,55 [kW] (mechanical size 71) + CTM25-10 pump
- 11 = 1,10 [kW] (mechanical size 80) + CTM32-12,5 pump
- 15 = 1,50 [kW] (mechanical size 90) + CTM40-12,5 pump
- 22 = 2,20 [kW] (mechanical size 90) + CTM40-12,5 pump
- 30 = 3,00 [kW] (mechanical size 90) + CTM50-12,5 pump

VIII. Pump options:

- no signal = standard motor
- I = trimmed impeller
- P = single phase motor

IX. Sealing material:

- E = EPDM
- F = FKM
- N = NBR

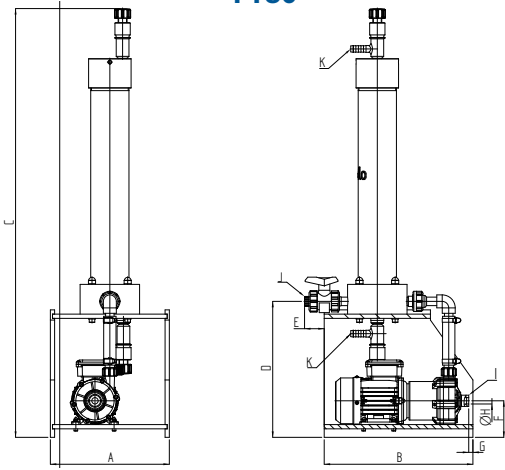
X. Optional accessories:

- PS = pressure switch

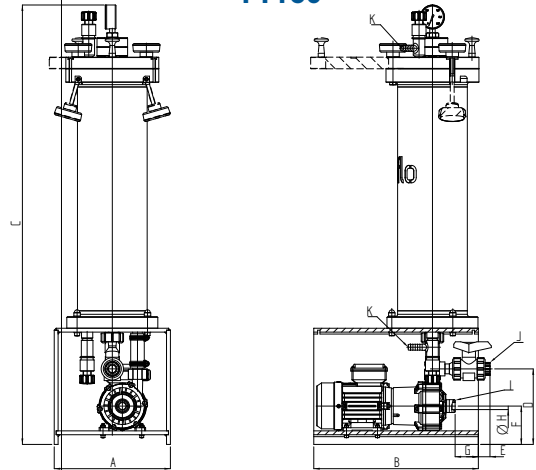
Ask us for complete pump code with all available options and executions. Changes reserved without notice.

Dimensions

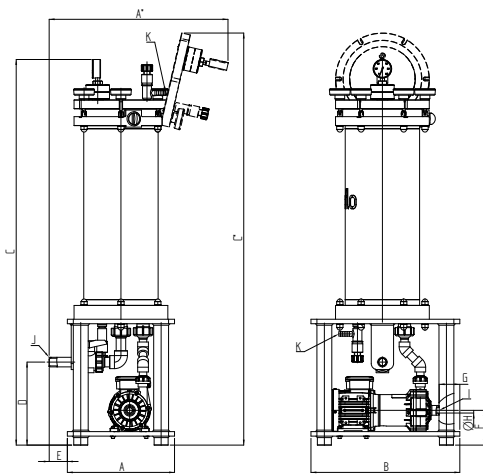
FT80



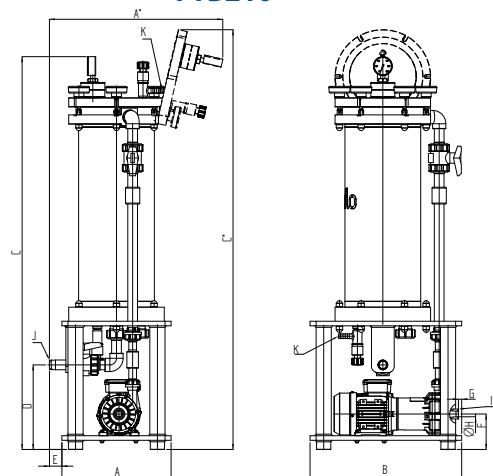
FT160



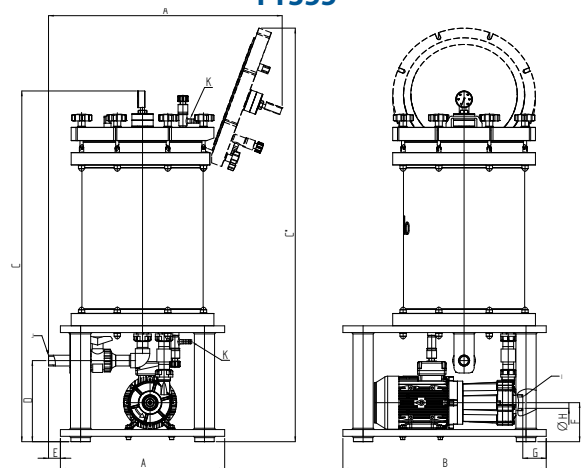
FT210



FTB210



FT355



Dim	Filter model				
	FT80	FT160	FT210	FTB210	FT355
A	280	300	360	360	610
A*	-	-	572	572	868
B	350	425	500	500	755
C	1010	1145	1287	1287	1302
C*	-	-	1375	1375	1535
D	320	195	277	277	301
E	46	30	61	61	44
F	86	99	116	116	145
G	10	60	69	11	87
Ø H	15	18	18	18	42
I - Inlet	male thread G ¾"	male thread G 1"	male thread G 1"	male thread G 1"	male thread G 2"
J - Outlet	female thread G ½"	female thread G ¾"	hose Ø 32	hose Ø 32	hose Ø 40
K - Air vent	hose Ø 16	hose Ø 16	hose Ø 16	hose Ø 16	hose Ø 16

Dimensions in mm (where other is not indicated)

* with open cover

Changes reserved without notice

Sweden

Filaregatan 4 | S-442 34 Kungälv

Tel: +46 303 63390

Fax: +46 303 19916

E-mail addresses:

Commercial questions: sales@tapflo.com

Orders: order@tapflo.com

Tech support: support@tapflo.com

Tapflo products and services are available in 75 countries on 6 continents.

Tapflo is represented worldwide by own Tapflo Group Companies and carefully selected distributors assuring highest Tapflo service quality for our customers' convenience.

AUSTRALIA | AUSTRIA | AZERBAIJAN | BAHRAIN | BELARUS | BELGIUM | BOSNIA | BRAZIL | BULGARIA | CANADA | CHILE | CHINA | COLOMBIA | CROATIA | CZECH REPUBLIC | DENMARK | ECUADOR | EGYPT | ESTONIA | FINLAND | FRANCE | GREECE | GEORGIA | GERMANY | HONG-KONG | HUNGARY | ICELAND | INDIA | INDONESIA | IRAN | IRELAND | ISRAEL | ITALY | JAPAN | JORDAN | KAZAKHSTAN | KUWAIT | LATVIA | LIBYA | LITHUANIA | MACEDONIA | MALAYSIA | MEXICO | MONTENEGRO | MOROCCO | NETHERLANDS | NEW ZEALAND | NORWAY | POLAND | PORTUGAL | PHILIPPINES | QATAR | ROMANIA | RUSSIA | SAUDI ARABIA | SERBIA | SINGAPORE | SLOVAKIA | SLOVENIA | SOUTH AFRICA | SOUTH KOREA | SPAIN | SUDAN | SWEDEN | SWITZERLAND | SYRIA | TAIWAN | THAILAND | TURKEY | UKRAINE | UNITED ARAB EMIRATES | UNITED KINGDOM | USA | UZBEKISTAN | VIETNAM

Tapflo Group Companies

Australia

Tapflo Oceania (Pty) Ltd
Tel: +61 1800 303 633
sales@tapflo.com.au

Austria

Tapflo Austria
Tel: +43 732 27292910
sales@tapflo.at

Baltic States

Tapflo Latvia
Tel: +371 67472205
sales@tapflo.lv

Belarus

Tapflo Belarus
Tel: +375 17 3934609
sales@tapflo.by

Belgium

Tapflo Benelux B.V.
Tel: +31 (0)85 00 743 00
info@tapflo.nl

Bulgaria

Tapflo EOOD
Tel: +359 (0)2 974 18 54
office@tapflo.bg

Canada

Tapflo Canada
Tel: +1 514 813 5754
canada@tapflo.com

Croatia

Tapflo d.o.o.
Tel: +385 91 4884 666
sales@tapflo.hr

Czech Republic

Tapflo s.r.o.
Tel: +420 513 033 924
tapflo@tapflo.cz

China

Tapflo (Wuxi)
Tel: +86 510 8241 7072
sales@tapflo.cn

Denmark

Tapflo Danmark
Tel: +45 36 454600
info@tapflo.dk

France

Tapflo France
Tel: +33 1 34 78 82 40
info@tapflo.fr

Hungary

Tapflo kft.
Tel: +36 30 148 8551
office@tapflo.hu

India

Tapflo Fluid Handling India Pvt Ltd
Tel: +91 20 65000215
ac@tapflo.in

Ireland

Tapflo Ireland Ltd
Tel: +353 1 2011911
info@tapflo.ie

Italy

Tapflo Italia
Tel: +39 0362 306528
info@tapfloitalia.com

Japan

Tapflo Japan K.K.
Tel: +81-3-6240-3510
tapflojp@tapflo.co.jp

Kazakhstan

Tapflo Kazakstan
Tel: +7 727 3278347
sales@tapflo.kz

Netherlands

Tapflo Benelux B.V.
Tel: +31 (0)85 00 743 00
info@tapflo.nl

Poland

Tapflo Sp. z o.o.
Tel: +48 58 530 42 12
info@tapflo.pl

Romania

S.C. Tapflo Rom. S.r.l.
Tel: +40 21 3451255
sales@tapflo.ro

Russia

Tapflo Company
Tel: +7 495 232 18 28
sales@tapflo.com.ru

Serbia

Tapflo d.o.o.
Tel: +381 21 44 58 08
sales@tapflo.rs

Slovakia

Tapflo s.r.o.
Tel: +421 911 137 883
tapflo@tapflo.sk

Slovenia

Tapflo GmbH
Tel: +386 68 613 474
sales@tapflo.hr

Spain

Tapflo Iberica
Tel: +34 91 8093182
avives@tapfloiberica.es

South Africa

Tapflo (Pty) Ltd
Tel: +27 31 701 5255
sales@tapflo.co.za

Turkey

Tapflo Makina Ltd
Tel: +90 216 467 33 11
sales@tapflo.com.tr

Ukraine

TOB Tapflo
Tel: +380 44 222 68 44
sales@tapflo.ua

Uzbekistan

Tapflo Uzbekistan
Tel: +998 712370940
sales@tapflo.uz

United Kingdom

Tapflo (UK) Ltd
Tel: +44 2380 252325
sales@tapflo pumps.co.uk



If your country is not listed
please visit
www.tapflo.com/en/contact