

tapflo®

# SUBMERSIBLE PUMPS

2021 | 1



» All about your flow™

[www.tapflo.com](http://www.tapflo.com)

## » All about your flow™

*We began our journey in 1980 in Kungälv, a small town on the Swedish west coast, as a family company with an ambition to one day become a global player on the pump market.*

Since the foundation, we have taken pride in delivering a wealth of knowledge and passion for pumps to the industry, whilst supplying a wide range of premium products for various industrial applications.

Over the years, the company has developed into a global Tapflo Group with branches and distributors present in nearly every region of the world.

One thing did not change - we are still a family company.

Our solutions are designed and manufactured in Europe and distributed globally to offer the best service and flow solutions to our customers for a variety of applications.

Our values, Commitment, Quality and Simplicity are reflected both in our product and business approach.



**For fast and flexible service and high-quality products readily available worldwide, choose Tapflo.**

## Quality commitment

At Tapflo we are simply committed to quality. As a result, our production standards, as well as products quality, comply with various globally recognised certification and quality control standards. The Tapflo manufacturing process is certified according to ISO 9001:2015, confirming that our processes are appropriate, effective, customer-focused and continuously improved.



## Tapflo values

Our culture is concluded in Our values

### Commitment

We are different from our competitors because of our willingness to exceed the customers' expectations, move fast and be flexible. Our culture is based on the spirit of togetherness, enthusiasm and integrity. We come from all over the world but we share the same values and we respect each other. We are committed.

### Quality

We understand that the quality in our work is never better than the weakest link, that's why we focus on every small detail. We share a common passion for continuously finding more efficient and effective ways to provide value to our customers. As a manufacturer we have control of the complete process both in terms of our products and the way we operate internally. That is why we manufacture the highest quality pumps in our segment.

### Simplicity

We have a saying, "Simple is art" which means we try to find smooth and uncomplicated solutions in everything. By keeping it simple we can focus on the essential, like designing uncomplicated pumps with few components. For us it is a key to success; strive to simplify what is complex.

# Submersible pumps

## One solution for all your drainage needs

Tapflo submersible pumps are designed for an extensive range of dewatering applications. Our submersible pump series are divided into **Tapflo Submersible Drainage Pumps** and **Tapflo Submersible Sludge Pumps**. Both our drainage and sludge pumps provides the performance, reliability and ease of use you need when pumping water with abrasive solids, ground water or raw water.



### Features & Benefits

- ✓ **Effective motor cooling**  
Discharge channel is part of the motor housing and effectively cools motor
- ✓ **Over heating protection**  
Pump stops at too high temperatures, automatically cools down, then starts again
- ✓ **Automatic level control**  
Optional float switch and level sensor that controls operation based on water level
- ✓ **Protection against reverse phase**  
Ensuring correct impeller rotation
- ✓ **Hermatic sealing**  
Safe air tight thermal protection
- ✓ **Rigid construction**  
Pump body and motor made in cast iron or stainless steel

## Applications





# SK series

Drainage pumps with compact design, exceptional durability that is widely used in civil engineering, construction and general dewatering purposes

The body of motor and pump is made of rigid cast iron or stainless steel for long-lasting durability. The SK series has a greatly increased maximum submersion depth due to a mechanical seal that is resistant to high pressure. A semi-open impeller made of high chrome alloy match with wearable plate (ductile iron) achieves superior durability.

Effective motor cooling due to discharge channel cast as part of the motor housing.

Pump motor is hermetically sealed equipped built-in thermal protection.



**Fast facts**

**Capacity:** Up to 30 m<sup>3</sup>/h

**Head:** Up to 21 m

**Power:** 0.25-1.5 kW, single-phase  
220 V ± 10 %, 50 Hz/  
1.5 kW, three-phase 400 V  
± 10 %, 50 Hz

**Insulation class:** F

**Protection class:** IP 68

**Outlet:** 50 mm

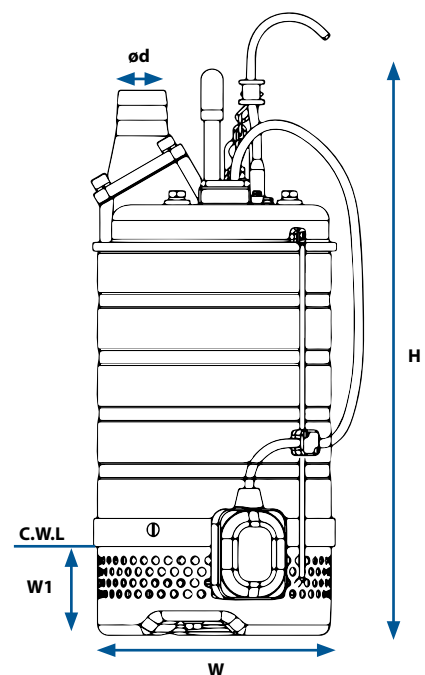
**Water temperature:** Up to 40 °C

**Max water depth:** 25 m

**Cable length:** 8 m

## Dimensions

Model (50 Hz)	Height (H)	Width (W)	Weight (net)	Outlet (ød)	Continuous running water level (W1)
	mm	mm	Kg	mm	mm
SK2F-02P	345	184	14	50	50
SK2F-07P	365	184	17	50	50
SK2F-15P	582	240	37	50	87
SK2-15	563	240	37	50	87

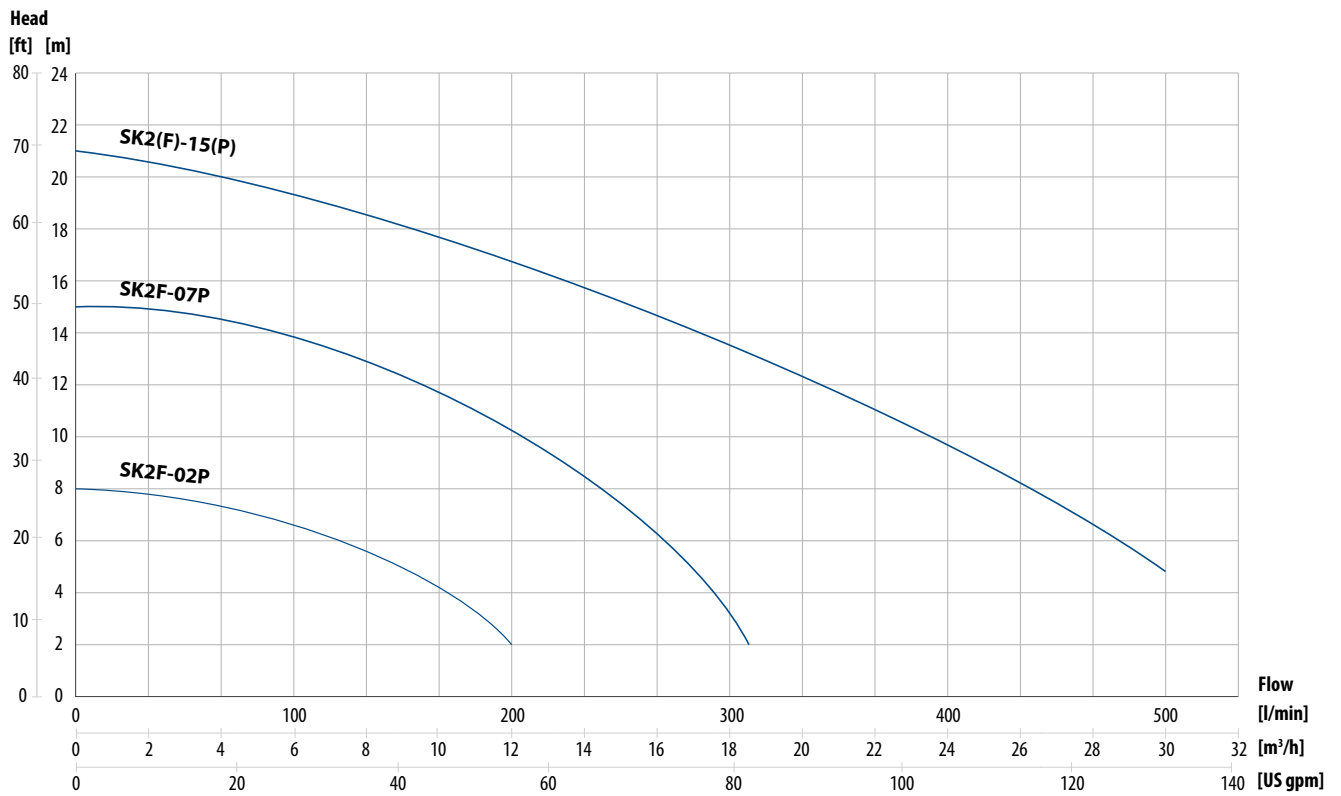


## Technical data

Model (50 Hz)	Level control	Motor power kW	Voltage V	Rated Capacity		Rated head m	Max capacity		Max head m	Impeller Passage mm	Max depth m
				m <sup>3</sup> /h	l/min		m <sup>3</sup> /h	l/min			
SK2F-02P	F	0.25	220	6	100	7	12	200	8	6	10
SK2F-07P	F	0.75	220	10	166	12	19.5	325	15	6	10
SK2F-15P	F	1.5	220	15	250	15	30	500	21	8.5	25
SK2-15	-	1.5	400	15	250	15	30	500	21	8.5	25

F: Float switch

## Performance curves - 50 Hz, 2850 rpm



# SF series

Equipped with semi vortex impeller for general dewatering purposes

For maximum durability and maintaining pump performance Tapflo SF drainage pump is equipped with a semi vortex impeller design that minimizes clogging due to sand.

Built-in shaft mounted agitator prevents “air lock” and reduces clogging.

SF is a perfect fit for pumping of groundwater, rainwater and slightly sandy water.

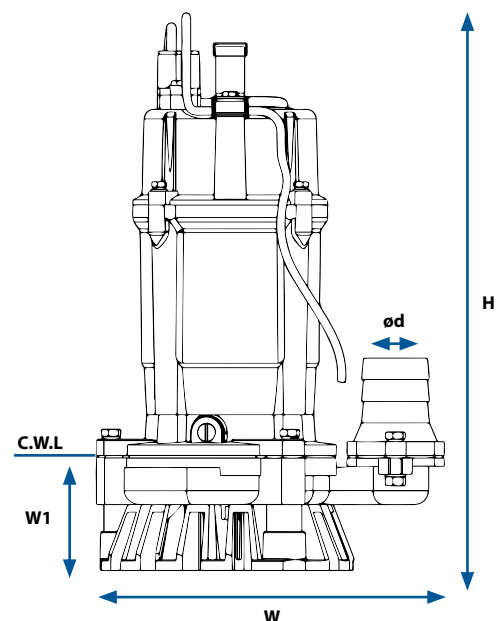
## Fast facts

<b>Capacity:</b>	Up to 16 m <sup>3</sup> /h
<b>Head:</b>	Up to 18 m
<b>Power:</b>	0.4/ 0.75 kW, single-phase 220 V ± 10 %, 50 Hz
<b>Insulation class:</b>	F
<b>Protection class:</b>	IP 68
<b>Outlet:</b>	50 mm
<b>Water temperature:</b>	Up to 40 °C
<b>Max water depth:</b>	10 m
<b>Cable length:</b>	8 m



## Dimensions

Model (50 Hz)	Height (H)	Width (W)	Weight (net)	Outlet (ød)	Continuous running water level (W1)
	mm	mm	Kg	mm	mm
<b>SF2-04P</b>	365	237	13.5	50	85
<b>SF2F-04P</b>	365	237	13.5	50	85
<b>SF2-07P</b>	390	257	16.5	50	85
<b>SF2F-07P</b>	390	257	16.5	50	85
<b>SF2E-07P</b>	390	257	16.5	50	85

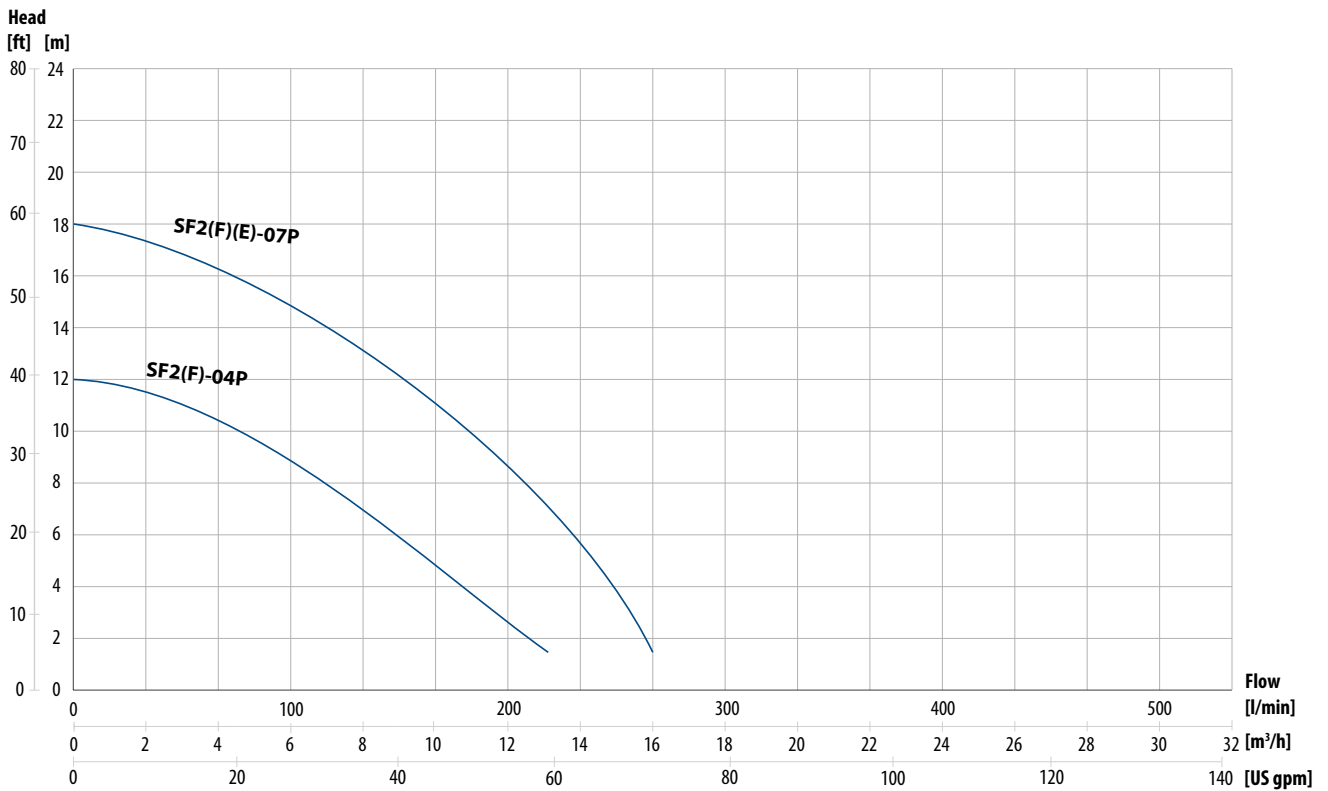


## Technical data

Model (50 Hz)	Level control	Motor power kW	Voltage V	Rated Capacity		Rated head m	Max capacity		Max head m	Impeller Passage mm	Max depth m
				m <sup>3</sup> /h	l/min		m <sup>3</sup> /h	l/min			
SF2-04P	-	0.4	220	8	133	8	12.6	210	12	6	10
SF2F-04P	F	0.4	220	8	133	8	12.6	210	12	6	10
SF2-07P	-	0.75	220	10	166	11	16	266	18	6	10
SF2F-07P	F	0.75	220	10	166	11	16	266	18	6	10
SF2E-07P	S	0.75	220	10	166	11	16	266	18	6	10

F: Float switch, S: Sensor

## Performance curves - 50 Hz, 2850 rpm



# SB series

The perfect pump for general pumping purposes with level control possibilities

Tapflo SB series pump body and motor are constructed in rigid cast iron to make the pump run hassle free day after day. The pump has a greatly increased maximum submersion depth due to a mechanical seal that is resistant to high pressure. The impeller is semi-open and made of high chrome alloy match with wear plate (ductile iron) that achieves superior durability.

Discharge channel cast is part of the motor housing which results in effective motor cooling.

The motor is hermetically sealed equipped build-in thermal protection. Sizes **SB2-22** to **SB4-37** can be equipped with a level control sensor, marked by (E).

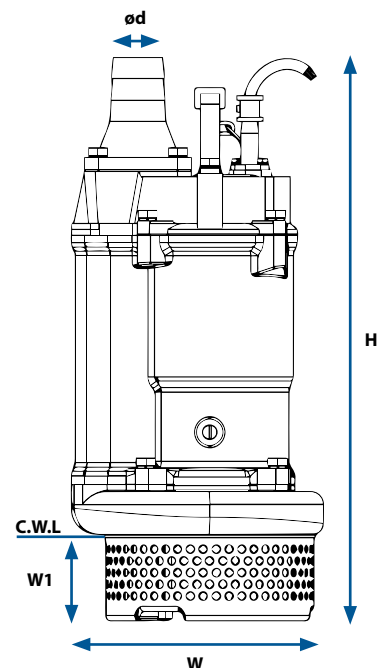


## Fast facts

<b>Capacity:</b>	Up to 147 m <sup>3</sup> /h
<b>Head:</b>	Up to 40 m
<b>Power:</b>	1.5-11 kW, three-phase 400 V ± 10 %, 50 Hz
<b>Insulation class:</b>	F
<b>Protection class:</b>	IP 68
<b>Outlet:</b>	50/ 80/ 100/ 150 mm
<b>Water temperature:</b>	Up to 40 °C
<b>Max water depth:</b>	25 m
<b>Cable length:</b>	8 m

## Dimensions

Model (50 Hz)	Height (H)	Width (W)	Weight (net)	Outlet (ød)	Continuous running water level (W1)
	mm	mm	Kg	mm	mm
<b>SB2(E)-22</b>	505 (582)	235 (235)	39 (44)	50 (50)	120 (120)
<b>SB3(E)-22</b>	505 (582)	235 (235)	39 (44)	80 (80)	120 (120)
<b>SB2(E)-37</b>	629 (707)	283 (283)	63 (71)	50 (50)	150 (150)
<b>SB3(E)-37</b>	629 (707)	283 (283)	63 (71)	80 (80)	150 (150)
<b>SB4(E)-37</b>	629 (707)	283 (283)	63 (72)	100 (100)	150 (150)
<b>SB4-55</b>	590	283	77	100	150
<b>SB4-75</b>	676	330	106	100	190
<b>SB6-75</b>	676	330	108	150	190
<b>SB6-11</b>	695	373	139	150	139



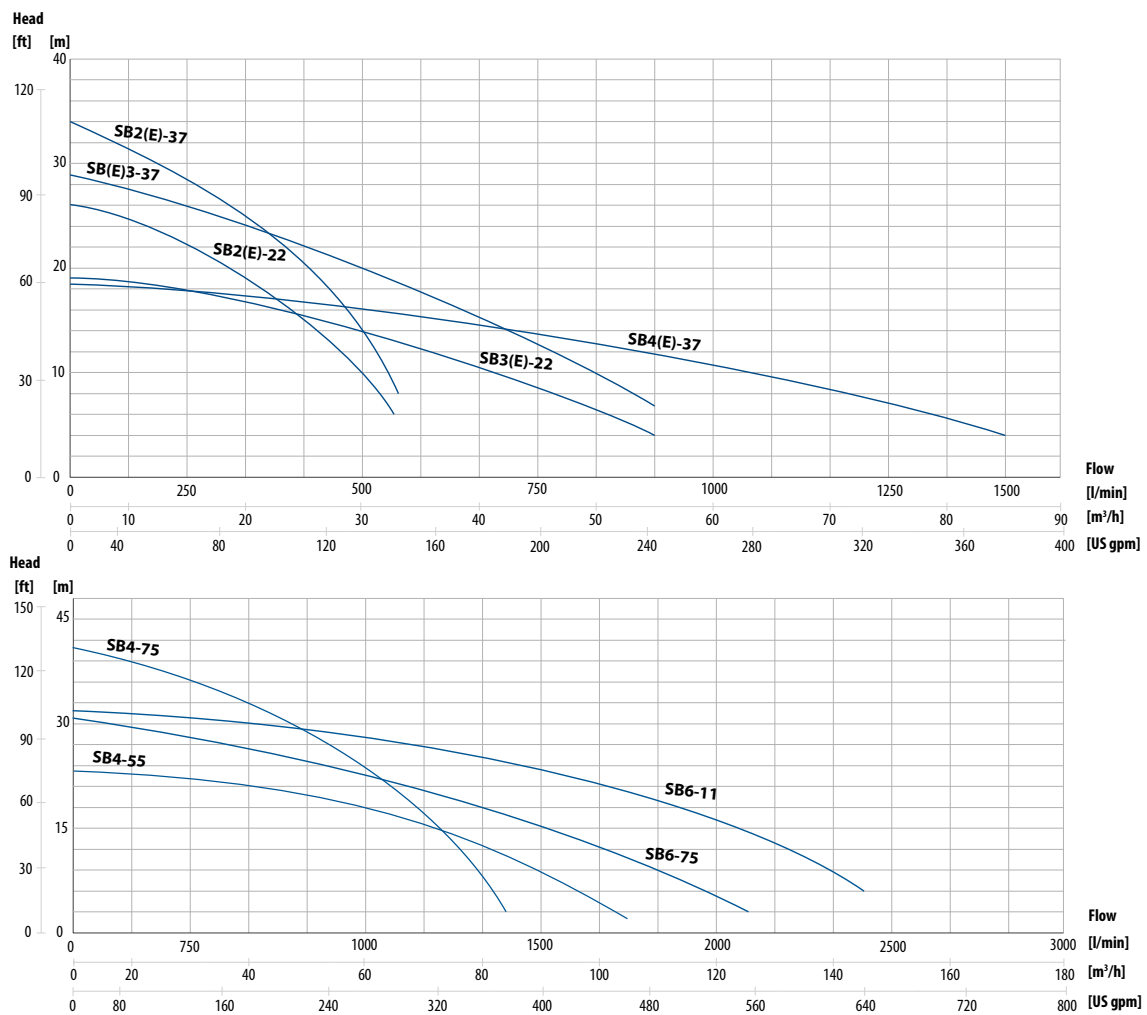
Dimensions for pump equip with level control sensor (E) is presented inside the brackets



## Technical data

Model (50 Hz)	Level control	Motor power	Voltage	Rated Capacity		Rated head	Max capacity		Max head	Impeller Passage	Max depth
				m <sup>3</sup> /h	l/min		m <sup>3</sup> /h	l/min			
<b>SB2(E)-22</b>	(E) Sensor	2.2	400	18	300	20	33	550	26	8.5	25
<b>SB3(E)-22</b>	(E) Sensor	2.2	400	36	600	11	55	920	19	8.5	25
<b>SB2(E)-37</b>	(E) Sensor	3.7	400	12	200	30	33	550	34	8.5	25
<b>SB3(E)-37</b>	(E) Sensor	3.7	400	30	500	20	55	920	29	8.5	25
<b>SB4(E)-37</b>	(E) Sensor	3.7	400	60	1000	11.5	90	1500	18.5	8.5	25
<b>SB4-55</b>	-	5.5	400	60	1000	16	105	1750	23	8.5	25
<b>SB4-75</b>	-	7.5	400	48	800	30	84	1400	40	11.5	25
<b>SB6-75</b>	-	7.5	400	90	1500	15	124.8	2080	31	19.5	25
<b>SB6-11</b>	-	11	400	102	1700	22	147	2450	32	19.5	25

## Performance curves - 50 Hz, 2850 rpm



# SPT series

## Light and corrosion resistant drainage pumps

Tapflo SPT is made from stainless steel and resin. This makes the pump not only light in weight, but also corrosion resistant. A built-in vortex impeller and large passage facilitate pump operation to readily dispose of liquid containing large particles.

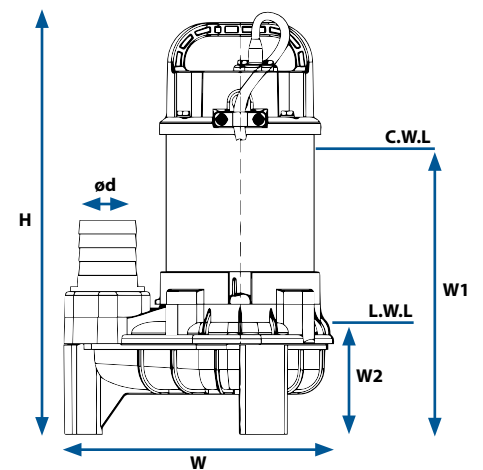
### Fast facts

<b>Capacity:</b>	Up to 22.2 m <sup>3</sup> /h
<b>Head:</b>	Up to 13.5 m
<b>Power:</b>	0.25-0.75 kW, single-phase 220 V ± 10 %, 50 Hz
<b>Insulation class:</b>	F
<b>Protection class:</b>	IP 68
<b>Outlet:</b>	40/ 50 mm
<b>Water temperature:</b>	Up to 40 °C
<b>Max water depth:</b>	10 m
<b>Cable length:</b>	8 m



## Dimensions

Model (50 Hz)	Height (H)	Width (W)	Weight (net)	Outlet (ød)	Continuous running water level (W1)	Lowest running water level (W2)
	mm	mm	Kg	mm	mm	mm
SPT15F-02P	370	234	9	40/50	270	110
SPT2F-04P	370	234	10	50	270	110
SPT2F-07P	400	234	13	50	300	110

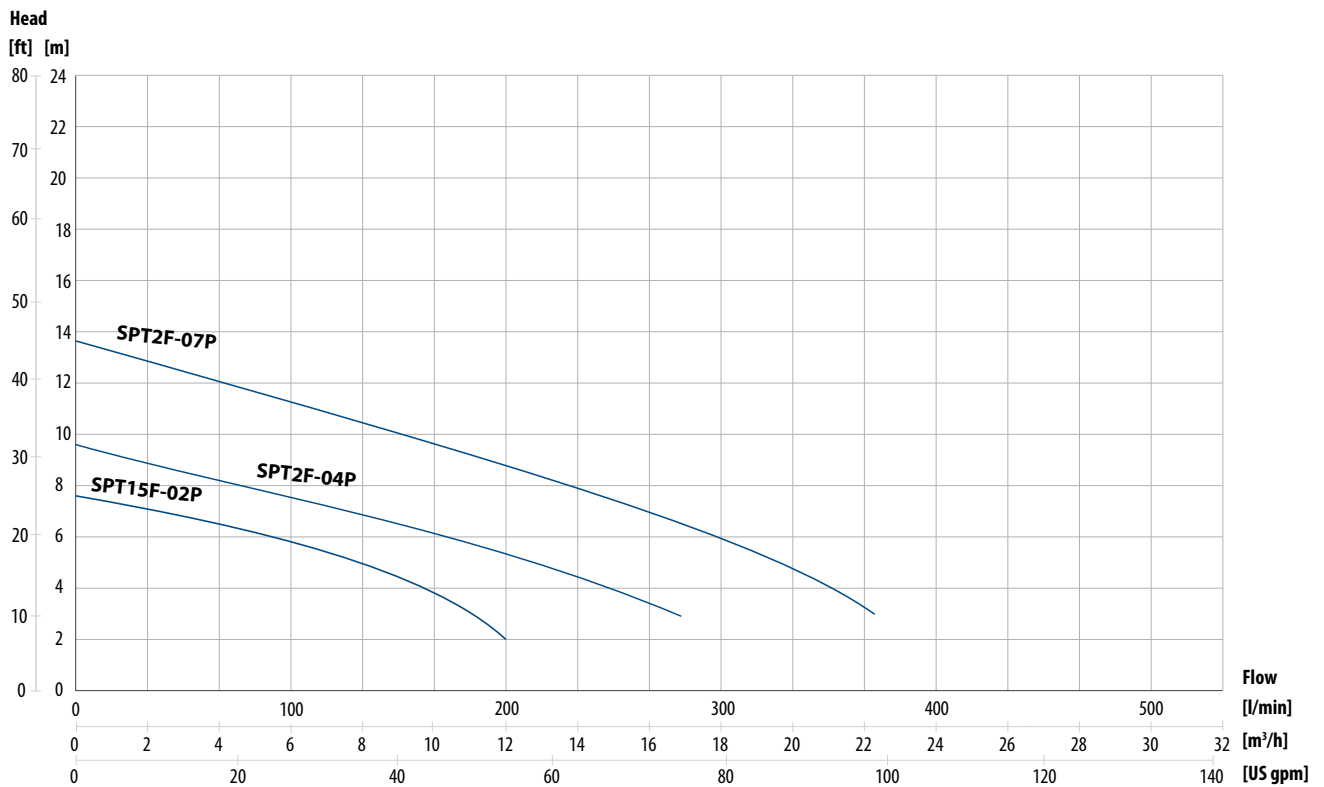


## Technical data

Model (50 Hz)	Level control	Motor power	Voltage	Rated Capacity		Rated head	Max capacity		Max head	Impeller Passage	Max depth
		kW	V	m <sup>3</sup> /h	l/min	m	m <sup>3</sup> /h	l/min	m	mm	m
<b>SPT15F-02P</b>	F	0.25	220	8	133	5	12	200	7.5	35	10
<b>SPT2F-04P</b>	F	0.4	220	9	150	6	16.8	280	9.5	35	10
<b>SPT2F-07P</b>	F	0.75	220	12	200	9	22.2	370	13.5	35	10

F: Float switch

## Performance curves - 50 Hz, 2850 rpm



# SG series

Drainage pump that can drain down to as low as 1 mm water level

SG has a smart design bottom plate that enables the pump to operate and drain down to 1 mm water level. Furthermore, the pump is equipped with a swing valve that prevents reverse-flow when the pump is shut-off. A rubber stand protects the floor and ground surfaces from any scratches.

The discharge direction can be mounted either vertical or inclined, which prevents folding or bending of the discharge hose.



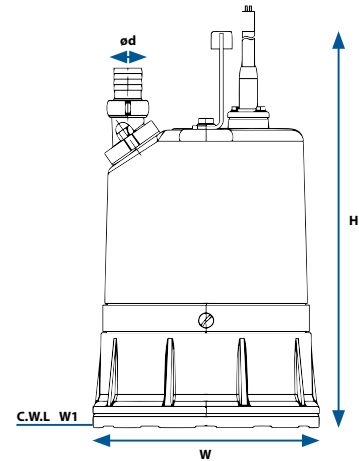
## Fast facts

<b>Capacity:</b>	14 m <sup>3</sup> /h
<b>Head:</b>	11.5 m
<b>Power:</b>	0.48 kW, single-phase 230 V ± 10 %, 50 Hz
<b>Insulation class:</b>	F
<b>Protection class:</b>	IP 68
<b>Outlet:</b>	25 mm
<b>Water temperature:</b>	Up to 40 °C
<b>Max water depth:</b>	10 m
<b>Cable length:</b>	8 m

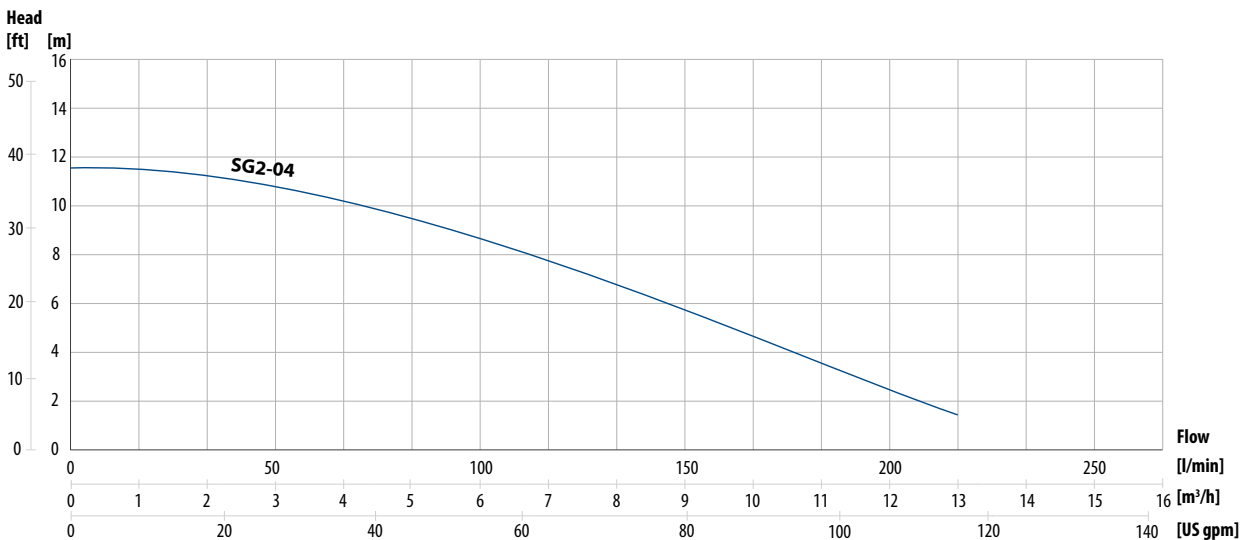
## Technical data

Model (50 Hz)	Height (H)	Width (W)	Weight (net)	Outlet (ød)	Continuous running water level (W1)
	mm	mm	Kg	mm	
<b>SG2-04</b>	358	205	12.6	25	1

Model (50 Hz)	Motor power	Voltage	Rated Capacity		Rated head	Max capacity		Max head	Impeller Passage	Max depth
	kW	V	m <sup>3</sup> /h	l/min	m	m <sup>3</sup> /h	l/min	m	mm	m
<b>SG2-04</b>	0.48	230	7	116	7	13	216	11.5	6	10



## Performance curves - 50 Hz, 2850 rpm



# SFA series

Highly effective motor competent to pump slightly laden mud water

Tapflo SFA is an effective and compact pump for lightly mudded water. Impeller and agitator are manufactured in strong chrome alloy to withstand sand and abrasive materials. A semi-vortex impeller in combination with agitator minimizes clogging.



## Fast facts

**Capacity:** 13.2 m<sup>3</sup>/h

**Head:** 13 m

**Power:** 0.55 kW, single-phase 220 V  
± 10 %, 50 Hz

**Insulation class:** F

**Protection class:** IP 68

**Outlet:** 50 mm

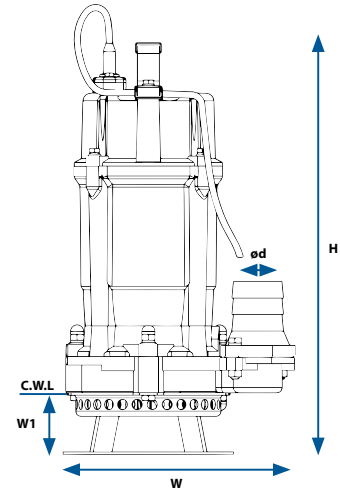
**Water temperature:** Up to 40 °C

**Max water depth:** 10 m

**Cable length:** 8 m

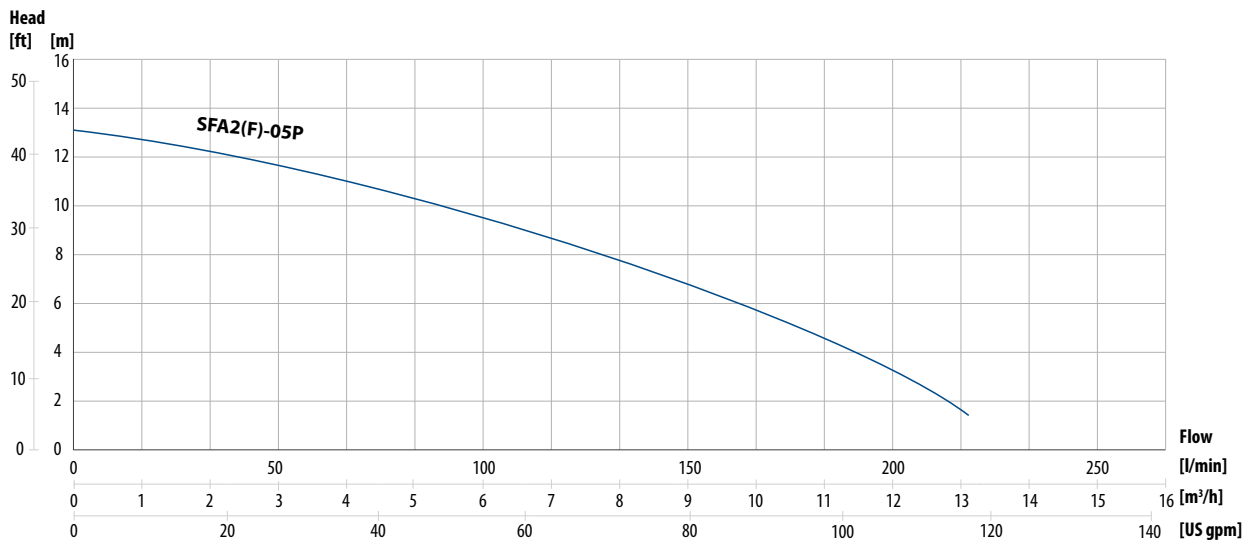
## Technical data

Model (50 Hz)	Height (H)	Width (W)	Weight (net)	Outlet (ød)	Continuous running water level (W1)
	mm	mm	Kg	mm	mm
<b>SFA2F-05P</b>	405	237	15.5	50	95
<b>SFA2-05P</b>	405	237	15.5	50	95



Model (50 Hz)	Level control	Motor power	Voltage	Rated Capacity		Rated head	Max capacity		Max head	Impeller Passage	Max depth
		kW	V	m <sup>3</sup> /h	l/min	m	m <sup>3</sup> /h	l/min	m	mm	m
<b>SFA2F-05P</b>	Float switch	0.55	220	8	133	8	13.2	220	13	9	10
<b>SFA2-05P</b>	-	0.55	220	8	133	8	13.2	220	13	9	10

## Performance curves - 50 Hz, 2850 rpm





# SBA series

## Robust and heavy-duty pump for muddy sludge water

Tapflo SBA is a heavy-duty sludge pump made in cast iron, employing the SB series as its base. On SBA an agitator is provided to assist smooth suction of the pumped fluid.

The side-flow, top-discharge design keeps the motor cool even if the pump is operated continuously with its motor exposed in air, and it makes the pump easier to place in a confined space.

Impeller and agitator manufactured in strong chrome alloy.

A semi-vortex impeller in combination with agitator minimizes clogging. SBA can be equipped with a level control sensor, marked by (E).



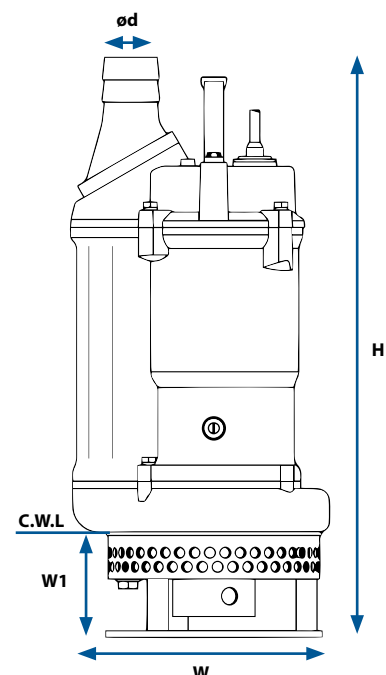
### Fast facts

<b>Capacity:</b>	Up to 60 m <sup>3</sup> /h
<b>Head:</b>	Up to 30 m
<b>Power:</b>	2.2/3.7 kW, three-phase 400 V ± 10 %, 50 Hz
<b>Insulation class:</b>	F
<b>Protection class:</b>	IP 68
<b>Outlet:</b>	50 mm/ 80 mm
<b>Water temperature:</b>	Up to 40 °C
<b>Max water depth:</b>	25 m
<b>Cable length:</b>	8 m

### Dimensions

Model (50 Hz)	Height (H)	Width (W)	Weight (net)	Outlet (ød)	Continuous running water level (W1)
	mm	mm	Kg	mm	mm
<b>SBA2(E)-22</b>	557 (629)	234 (235)	40 (46)	50 (50)	135 (135)
<b>SBA3(E)-37</b>	636 (720)	283 (283)	64 (72)	80 (80)	165 (165)

Dimensions for pump equip with level control sensor (E) is presented inside the brackets

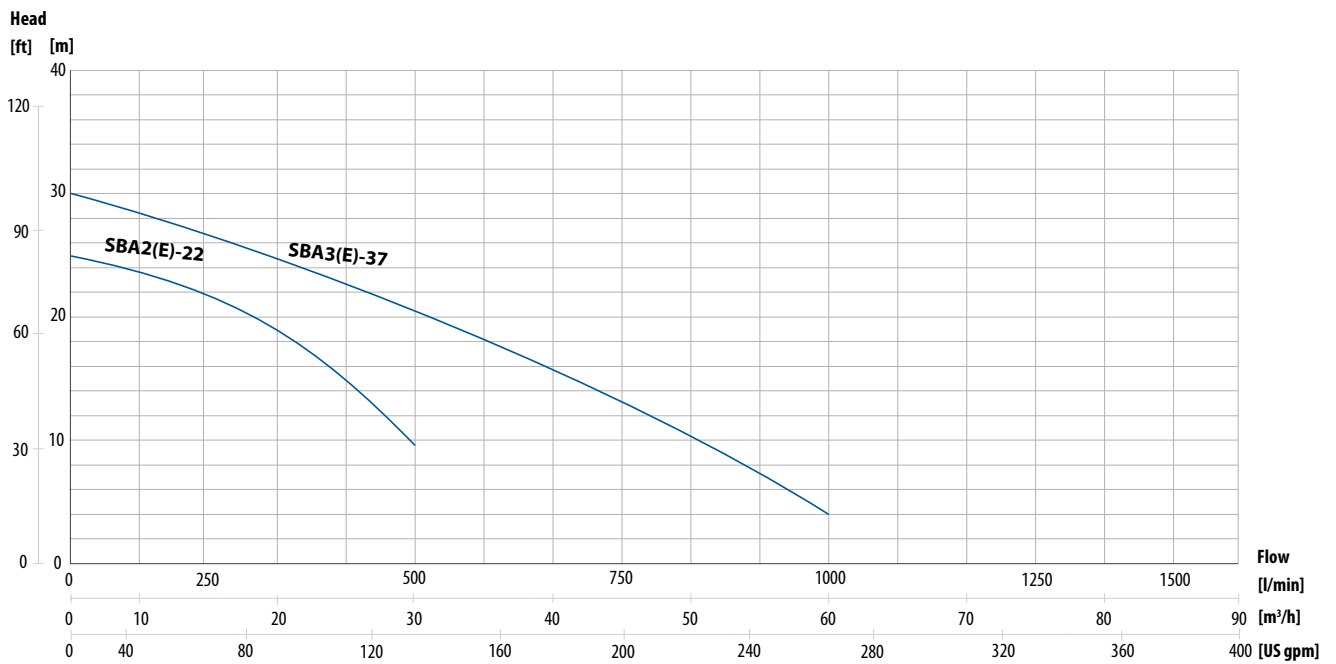


## Technical data

Model (50 Hz)	Level control	Motor power	Voltage	Rated Capacity		Rated head	Max capacity		Max head	Impeller Passage	Max depth
		kW	V	m <sup>3</sup> /h	l/min	m	m <sup>3</sup> /h	l/min	m	mm	m
<b>SBA2(E)-22</b>	(E) Sensor	2.2	400	18	300	19	30	500	25	10	25
<b>SBA3(E)-37</b>	(E) Sensor	3.7	400	30	500	20	60	1000	30	10	25

(E): Pump equipt with level control sensor

## Performance curves - 50 Hz, 2850 rpm



## Sweden

Filaregatan 4 | S-442 34 Kungälv

Tel: +46 303 63390

Fax: +46 303 19916

E-mail addresses:

Commercial questions: [sales@tapflo.com](mailto:sales@tapflo.com)

Orders: [order@tapflo.com](mailto:order@tapflo.com)

Tech support: [support@tapflo.com](mailto:support@tapflo.com)

## Tapflo products and services are available worldwide.

Tapflo is represented by own Tapflo Group Companies and carefully selected distributors assuring highest Tapflo service quality for our customers' convenience.

AUSTRALIA | AUSTRIA | AZERBAIJAN | BAHRAIN | BELARUS | BELGIUM | BOSNIA | BRAZIL | BULGARIA | CANADA | CHILE | CHINA | COLOMBIA | CROATIA | CZECH REPUBLIC | DENMARK | ECUADOR | EGYPT | ESTONIA | FINLAND | FRANCE | GREECE | GEORGIA | GERMANY | HONG-KONG | HUNGARY | ICELAND | INDIA | INDONESIA | IRELAND | ISRAEL | ITALY | JAPAN | JORDAN | KAZAKHSTAN | KUWAIT | LATVIA | LIBYA | LITHUANIA | MACEDONIA | MALAYSIA | MEXICO | MONTENEGRO | MOROCCO | NETHERLANDS | NEW ZEALAND | NORWAY | POLAND | PORTUGAL | PHILIPPINES | QATAR | ROMANIA | RUSSIA | SAUDI ARABIA | SERBIA | SINGAPORE | SLOVAKIA | SLOVENIA | SOUTH AFRICA | SOUTH KOREA | SPAIN | SWEDEN | SWITZERLAND | TAIWAN | THAILAND | TURKEY | UKRAINE | UNITED ARAB EMIRATES | UNITED KINGDOM | USA | UZBEKISTAN | VIETNAM

## Tapflo Group Companies

### Australia

Tapflo Oceania (Pty) Ltd.  
Tel: +61 1800303633  
[sales@tapflo.com.au](mailto:sales@tapflo.com.au)

### Austria

Tapflo GmbH  
Tel: +43 73227292910  
[sales@tapflo.at](mailto:sales@tapflo.at)

### Baltic States

Tapflo SIA  
Tel: +371 67472205  
[sales@tapflo.lv](mailto:sales@tapflo.lv)

### Belarus

Tapflo LLC  
Tel: +375 173934609  
[sales@tapflo.by](mailto:sales@tapflo.by)

### Belgium

Tapflo Benelux B.V.  
Tel: +31 (0)850074300  
[info@tapflo.nl](mailto:info@tapflo.nl)

### Bulgaria

Tapflo E00D  
Tel: +359 (0)29741854  
[office@tapflo.bg](mailto:office@tapflo.bg)

### Canada

Tapflo Canada  
Tel: +1 5148135754  
[canada@tapflo.com](mailto:canada@tapflo.com)

### China

Tapflo (Wuxi) Pumps Co. Ltd.  
Tel: +86 51082417072  
[sales@tapflo.cn](mailto:sales@tapflo.cn)

### Croatia

Tapflo d.o.o.  
Tel: +385 914884666  
[sales@tapflo.hr](mailto:sales@tapflo.hr)

### Czech Republic

Tapflo s.r.o.  
Tel: +420 513033924  
[tapflo@tapflo.cz](mailto:tapflo@tapflo.cz)

### Denmark

Tapflo Danmark ApS  
Tel: +45 36454600  
[info@tapflo.dk](mailto:info@tapflo.dk)

### France

Sarl Tapflo France  
Tel: +33 134788240  
[info@tapflo.fr](mailto:info@tapflo.fr)

### Hungary

Tapflo Kft.  
Tel: +36 30148 8551  
[office@tapflo.hu](mailto:office@tapflo.hu)

### India

Tapflo Fluid Handling India Pvt Ltd.  
Tel: +91 2065000215  
[ac@tapflo.in](mailto:ac@tapflo.in)

### Ireland

Tapflo Ireland Ltd.  
Tel: +353 12011911  
[info@tapflo.ie](mailto:info@tapflo.ie)

### Italy

Tapflo Italia S.r.l.  
Tel: +39 0362306528  
[info@tapfloitalia.com](mailto:info@tapfloitalia.com)

### Japan

Tapflo Japan K.K.  
Tel: +81 362403510  
[tapflojp@tapflo.co.jp](mailto:tapflojp@tapflo.co.jp)

### Kazakhstan

Tapflo LLP  
Tel: +7 7273278347  
[sales@tapflo.kz](mailto:sales@tapflo.kz)

### Netherlands

Tapflo Benelux B.V.  
Tel: +31 (0)850074300  
[info@tapflo.nl](mailto:info@tapflo.nl)

### Poland

Tapflo Sp. z o.o.  
Tel: +48 585304212  
[info@tapflo.pl](mailto:info@tapflo.pl)

### Romania

S.C. Tapflo Rom. S.r.l.  
Tel: +40 213451255  
[sales@tapflo.ro](mailto:sales@tapflo.ro)

### Russia

Tapflo Company LLP  
Tel: +7 4952321828  
[sales@tapflo.com.ru](mailto:sales@tapflo.com.ru)

### Serbia

Tapflo d.o.o.  
Tel: +381 21445808  
[sales@tapflo.rs](mailto:sales@tapflo.rs)

### Slovakia

Tapflo s.r.o.  
Tel: +421 911137883  
[tapflo@tapflo.sk](mailto:tapflo@tapflo.sk)

### Slovenia

Tapflo d.o.o.  
Tel: +386 68613474  
[sales@tapflo.hr](mailto:sales@tapflo.hr)

### Spain

Tapflo Ibérica S.L.  
Tel: +34 918093182  
[avives@tapfloiberica.es](mailto:avives@tapfloiberica.es)

### South Africa

Tapflo (Pty) Ltd.  
Tel: +27 317015255  
[sales@tapflo.co.za](mailto:sales@tapflo.co.za)

### Sweden

Tapflo AB  
Tel: +46 (0)30314050  
[info@tapflo.com](mailto:info@tapflo.com)

### Turkey

Tapflo Makina Ltd.  
Tel: +90 2164673311  
[sales@tapflo.com.tr](mailto:sales@tapflo.com.tr)

### Ukraine

Tapflo LLC  
Tel: +380 442226844  
[sales@tapflo.ua](mailto:sales@tapflo.ua)

### Uzbekistan

Tapflo Uzbekistan  
Tel: +998 712370940  
[sales@tapflo.uz](mailto:sales@tapflo.uz)

### United Kingdom

Tapflo (UK) Ltd.  
Tel: +44 2380252325  
[sales@tapflo pumps.co.uk](mailto:sales@tapflo pumps.co.uk)



If your country is not listed please visit [www.tapflo.com/en/contact](http://www.tapflo.com/en/contact)

# www.tapflo.com

Tapflo is a registered trademark of Tapflo AB. All rights reserved.

Information in this document is subject to change without notice. Reproduction in any manner without written permission of Tapflo Group is forbidden. Tapflo Group reserves the right to make changes in product design, or detail, and to discontinue any product or material without notice.

Art. No. 10-2234